

KEY NO	PART NAME	KEY NO	PART NAME	KEY NO	PART NAME	KEY NO	PART NAME
1	R/COVER SCREW	9	FOOT SCREW	17	HANDLE RIVET RING	25	O-RING (D/KNOB)
2	RETAINER COVER	10	FRAME	18	HANDLE KNOB	26	OIL FILTER-B
3	RETAINER SPRING	11	MAIN SHAFT	19	HANDLE RIVET	27	DRAG KNOB
4	RETAINER	12	OIL FILTER-A	20	CORK WASHER	28	BALANCE
5	WASHER	13	BALL BEARING	21	O/WAY ASS'Y	29	CLICK PIN
6	NUT	14	BALANCE SCREW	22	"A" WASHER	30	CLICK SPRING
7	O-RING (M/SHAFT)	15	HANDLE RIVET SCREW	23	BALL BEARING	31	CLICK BUSH
8	FOOT	16	SPOOL	24	DRAG RING	32	SET SCREW

Changing from left hand retrieve to right hand retrieve

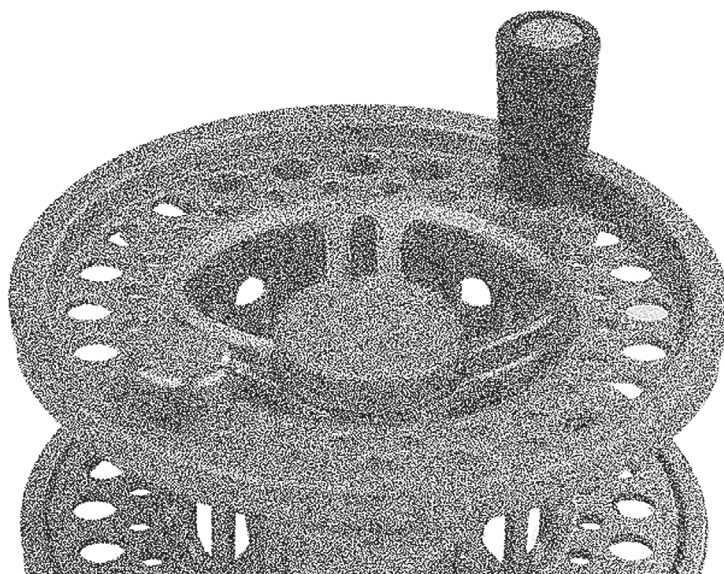
1. Loosen the brake.
2. Remove the spool by pressing (4) retainer and pulling (27) the drag knob out.
3. Remove (24) the drag ring.
4. Inside (16) the spool is a one way bearing (21). Shake this bearing out, turn it over and put it back again. Make sure the other parts, 20, 22 and 23 are in correct order.
5. Put the (24) drag ring on again.
6. Put (16) the spool back.
7. Put back on the (27) drag knob by sliding it in it's place, pressing (4) the retainer down and turning (27) the drag knob until (4) the retainer rises.

Reel maintenance

Rinse the reel after saltwater use.
 Keep the reel clean.
 Add waterproof grease/oil to your reel's moving parts (especially to the one way bearing, part (21) once or twice a year.



CDC34 | CDC56 | CDC78
 OWNERS MANUAL



Vision Group Ltd
 Niinistökatu 1
 05800 Hyvinkää
 Finland
 358 (0)9 2797 610
 service@visiongroup.fi

For service centers visit:
www.visionflyfishing.com