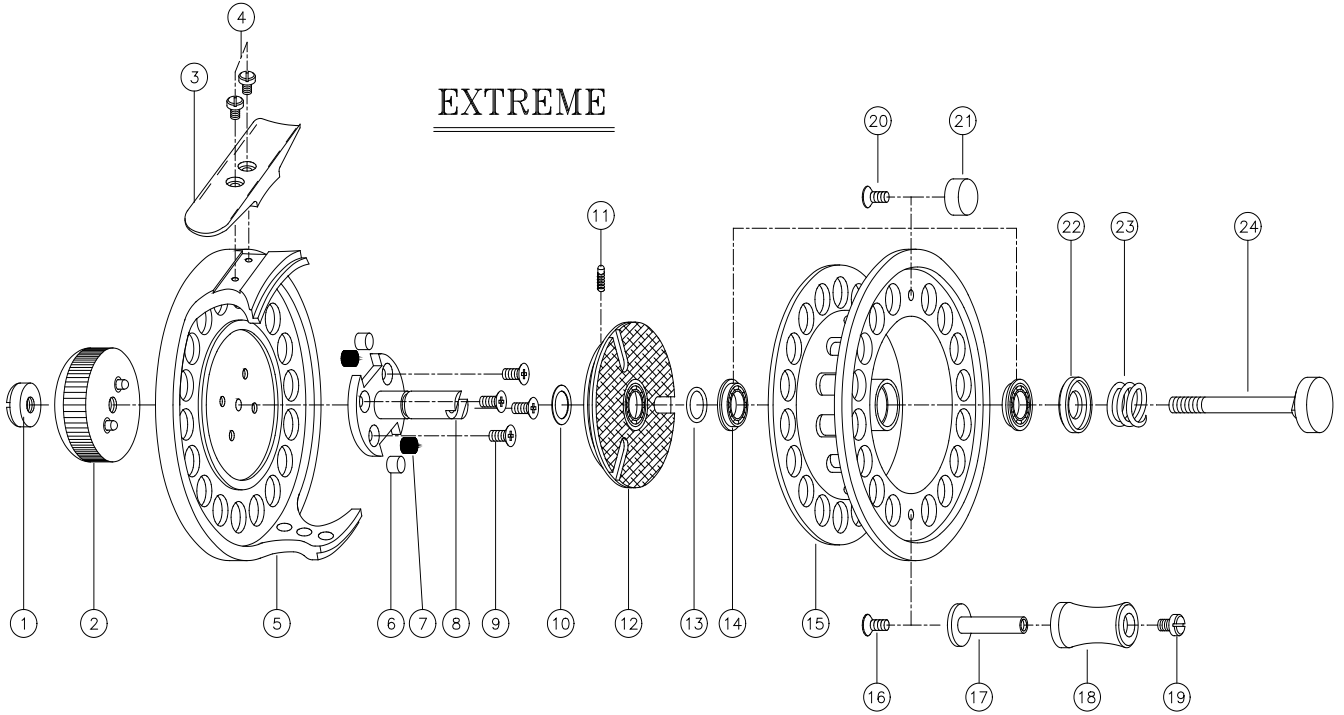
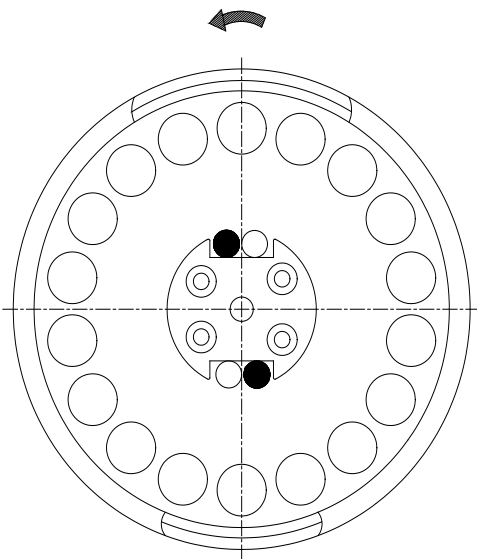


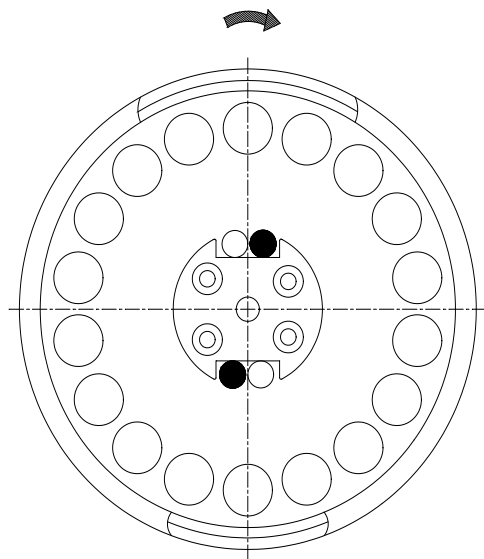
# EXTREME



KEY NO	PART NAME	KEY NO	PART NAME	KEY NO	PART NAME
1	SHAFT NUT	9	MAIN SHAFT SCREW	17	HANDLE RIVET
2	DRAG KNOB	10	WASHER	18	HANDLE KNOB
3	FOOT	11	SOUND SPRING	19	SCREW(HANDLE)
4	FOOT SCREW	12	DISC ASS'Y	20	SCREW(BALANCE)
5	FRAME ASS'Y	13	O-RING	21	BALANCE
6	RUBBER SPRING	14	BALL BEARING	22	SPRING COVER
7	PIN ROLLER	15	SPOOL ASS'Y	23	DRAG SPRING
8	MAIN SHAFT	16	SCREW(HANDLE RIVET)	24	SHAFT



LEFT HANDLE



RIGHT HANDLE