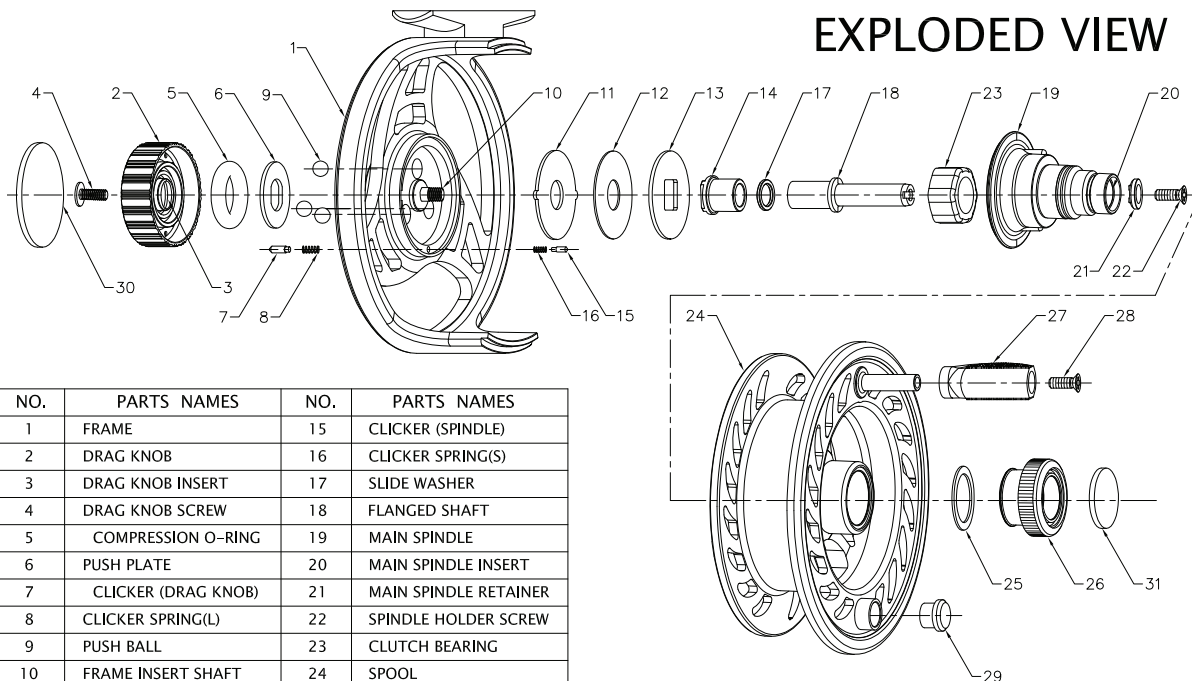


EXPLODED VIEW



| NO. | PARTS NAMES | NO. | PARTS NAMES |
|-----|---------------------|-----|-----------------------|
| 1 | FRAME | 15 | CLICKER (SPINDLE) |
| 2 | DRAG KNOB | 16 | CLICKER SPRING(S) |
| 3 | DRAG KNOB INSERT | 17 | SLIDE WASHER |
| 4 | DRAG KNOB SCREW | 18 | FLANGED SHAFT |
| 5 | COMPRESSION O-RING | 19 | MAIN SPINDLE |
| 6 | PUSH PLATE | 20 | MAIN SPINDLE INSERT |
| 7 | CLICKER (DRAG KNOB) | 21 | MAIN SPINDLE RETAINER |
| 8 | CLICKER SPRING(L) | 22 | SPINDLE HOLDER SCREW |
| 9 | PUSH BALL | 23 | CLUTCH BEARING |
| 10 | FRAME INSERT SHAFT | 24 | SPOOL |
| 11 | PRESSURE PLATE | 25 | O-RING |
| 12 | DRAG WASHER | 26 | LOCKING NUT |
| 13 | DRAG DISK | 27 | HANDLE KNOB |
| 14 | DRAG DISK BUSH | 28 | HANDLE KNOB SCREW |
| | | 29 | BALANCE |
| | | 30 | DRAG KNOB COVER |
| | | 31 | NUT COIN |

KEEPER™
A VISION GROUP BRAND

Changing from left hand retrieve to right hand retrieve.

1. Loosen the spool locking nut (26) and pull the spool out.
2. With a crosspoint screwdriver remove the screw (22) and the main spindle retainer (21).
3. Pull out the (19) main spindle.
4. On the main shaft is a clutch bearing (23). Pull this bearing out, turn it over and put it back again.
5. Put the (19) main spindle on again.
6. Place the main spindle retainer (21) on the shaft end and secure it with the screw (22).
Make sure that the cams on the backside of the main spindle retainer engage the slots in the main shaft (18).
7. Put the spool back.

Reel maintenance

- Rinse the reel after saltwater use.
- Keep the reel clean.
- Add waterproof grease/oil to your reel's moving parts (especially to the clutch bearing, part 23) once a year.



OWNERS MANUAL
KLA24, KLA46, KLA79

Vision Group Ltd
Niinistökatu 1
05800 Hyvinkää
Finland
service@visiongroup.fi