

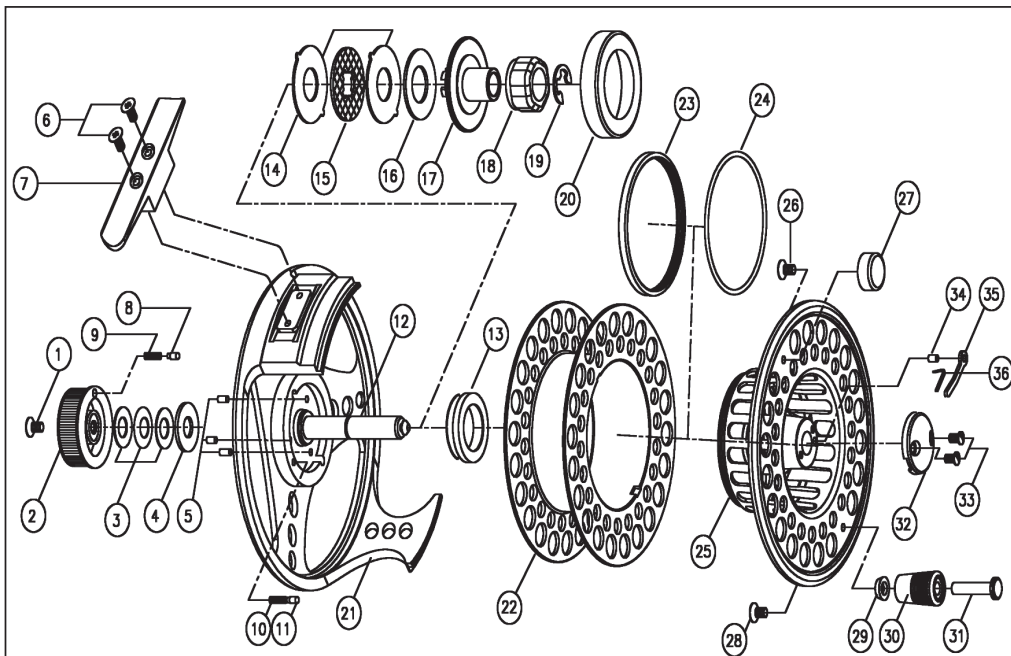


**KOMA Kasette  
VKC11**

**OWNERS MANUAL**

**Changing from left hand retrieve to right hand retrieve.**

1. Release the brake **VERY IMPORTANT**
2. With the point of a small screwdriver in one of the slots in (19) the E-clip, you lever it gently to the side.
3. Pull out (18) the one way bearing – turn it over and put it back again
4. Push (19) the E-clip in place again. You just place it in position to the groove in the main shaft and push it in position again. You can use the screwdriver for this.



NO	PART NAME	NO	PART NAME	NO	PART NAME	NO	PART NAME
1	DRAG KNOB SCREW	10	SPRING(FRAME)	19	E-CLIP	28	SCREW(H/RIVET)
2	DRAG KNOB	11	CLICK PIN(FRAME)	20	BRAKE CAP	29	RING (HANDLE KNOB)
3	SPRING WASHER	12	MAIN SHAFT	21	FRAME ASS'Y	30	HANDLE KNOB
4	DRAG WASHER	13	V-RING	22	CASSETTE (SPOOL)	31	HANDLE RIVET
5	PUSH PIN	14	DRAG WASHER "A"	23	STOPPER	32	RETAINER COVER
6	SCREW(FOOT)	15	CARBON WASHER	24	O-RING	33	SCREW(RETAINER COVER)
7	FOOT	16	DRAG WASHER "B"	25	SPOOL ASS'Y	34	RETAINER PIN
8	CLICK PIN(D/KNOB)	17	DRAG PLATE	26	SCREW(BALANCE)	35	RETAINER
9	SPRING(D/KNOB)	18	O/WAY BEARING	27	BALANCE	36	SPRING(RETAINER)

Vision Group Ltd  
Niinistökatu 1  
05800 Hyvinkää  
Finland  
358 (0)9 2797 610  
service@visiongroup.fi

For service centers visit:  
[www.visionflyfishing.com](http://www.visionflyfishing.com)