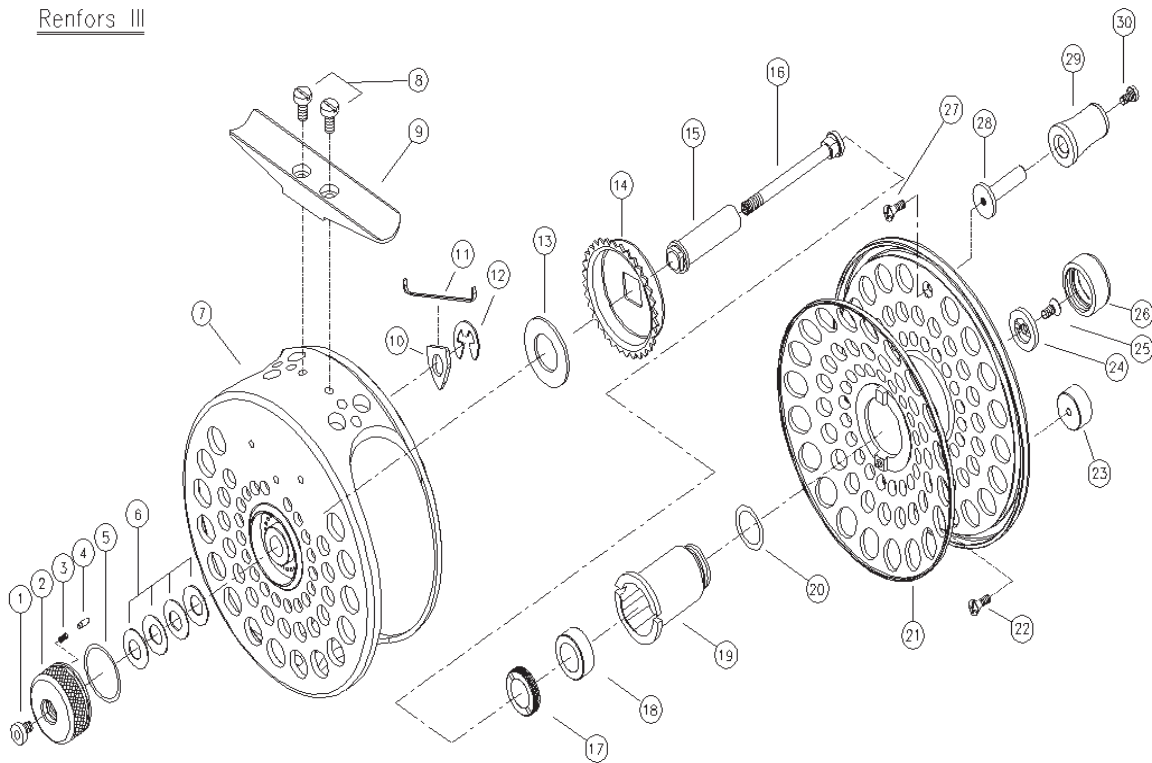


Renfors III



No.	PART NAME	No.	PART NAME	No.	PART NAME	No.	PART NAME	No.	PART NAME
1	NUT SCREW	8	FOOT SCREW	15	MAIN SHAFT	22	BALANCE SCREW	29	HANDLE KNOB
2	DRAG KNOB	9	FOOT	16	DRAW BAR	23	BALANCE	30	HANDLE KNOB SCREW
3	CLICK SPRING	10	CLAW	17	O/WAY CLUTCH CAP	24	END DISH		
4	CLICK PIN	11	CLAW SPRING	18	ONEWAY CLUTCH	25	SCREW		
5	O-RING	12	E-CLIP	19	BEARING HOLDER	26	SPOOL RELEASE CAP		
6	SPRING WASHER	13	DISC WASHER(TEFLON)	20	O-RING	27	HANDLE SCREW		
7	FRAME ASS'Y	14	RATCHET PLATE	21	SPOOL ASS'Y	28	HANDLE RIVET		

Changing from left hand retrieve to right hand retrieve

1. Remove (26) the spool release cap and pull the spool (21) out.
2. With a crosspoint screwdriver remove screw (25) and (24) the end disc.
3. Pull out (19) bearing holder.
4. Inside this is a one way bearing (18). Shake this bearing out, turn it over and put it back again.
5. Put the (19) bearing holder on again.
6. Place (24) end disc on the shaft end and secure it with (25) the screw. **Make sure that the cams on the backside of the disc engages the slot in the (16) draw bar.**
7. Put back on the (26) spool release cap.

Reel maintenance

Rinse the reel after saltwater use.
Keep the reel clean.

Add waterproof grease/oil to your reel's moving parts (especially to the one way bearing, part 17) once a year.



VCC79 | Renfors III
OWNERS MANUAL



Vision Group Ltd
Niinistökatu 1
05800 Hyvinkää
Finland
358 (0)9 2797 610
service@visiongroup.fi

For service centers visit:
www.visionflyfishing.com