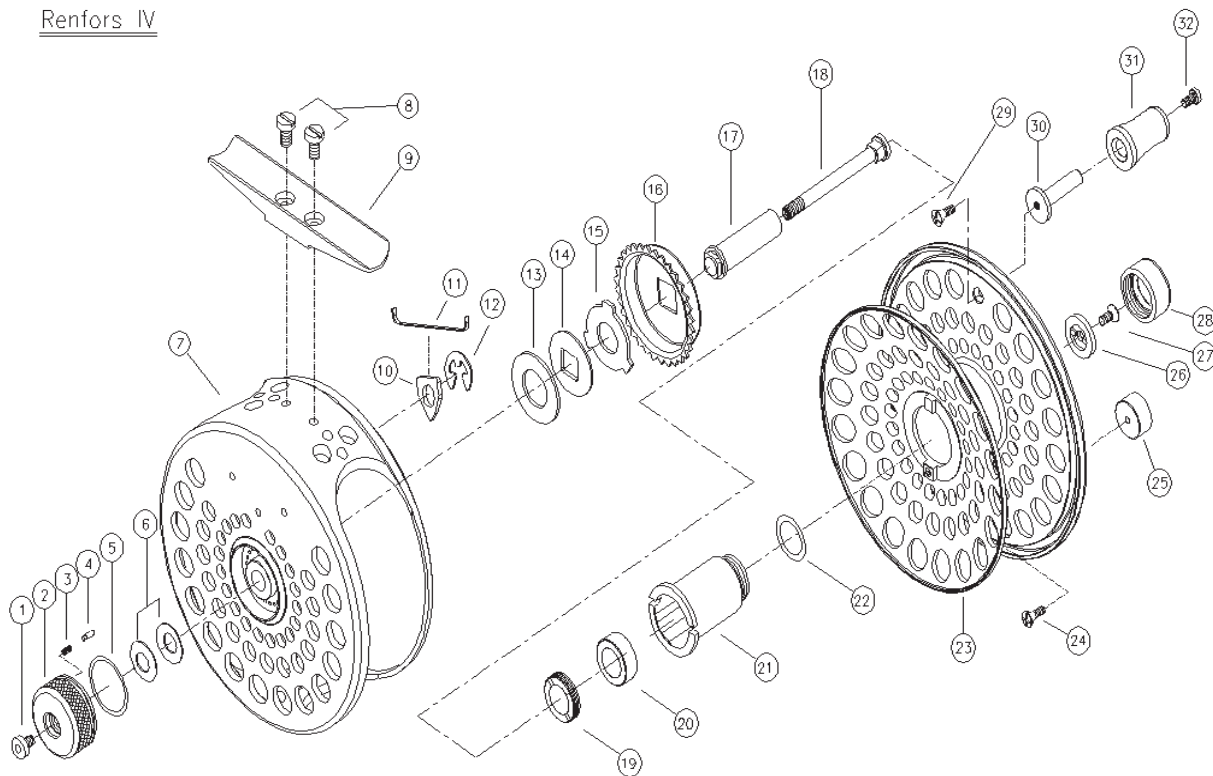


## Renfors IV



No.	PART NAME	No.	PART NAME	No.	PART NAME	No.	PART NAME	No.	PART NAME
1	NUT SCREW	8	FOOT SCREW	15	DISC WASHER(CARBON)	22	O-RING	29	HANDLE SCREW
2	DRAG KNOB	9	FOOT	16	RATCHET PLATE	23	SPOOL ASS'Y	30	HANDLE RIVET
3	CLICK SPRING	10	CLAW	17	MAIN SHAFT	24	BALANCE SCREW	31	HANDLE KNOB
4	CLICK PIN	11	CLAW SPRING	18	DRAW BAR	25	BALANCE	32	HANDLE KNOB SCREW
5	O-RING	12	E-CLIP	19	O/WAY CLUTCH CAP	26	END DISH		
6	SPRING WASHER	13	DISC WASHER(TEFLON)	20	ONEWAY CLUTCH	27	SCREW		
7	FRAME ASS'Y	14	WASHER "D"	21	BEARING HOLDER	28	SPOOL RELEASE CAP		

## Changing from left hand retrieve to right hand retrieve

1. Remove (28) the spool release cap and pull the spool (23) out.
2. With a crosspoint screwdriver remove screw (27) and (26) the end disc.
3. Pull out (21) bearing holder.
4. Inside this is a one way bearing (20). Shake this bearing out, turn it over and put it back again.
5. Put the (21) bearing holder on again.
6. Place (26) end disc on the shaft end and secure it with (27) the screw. **Make sure that the cams on the backside of the disc engages the slot in the (18) draw bar.**
7. Put back on the (28) spool release cap.

## Reel maintenance

Rinse the reel after saltwater use.  
Keep the reel clean.

Add waterproof grease/oil to your reel's moving parts (especially to the one way bearing, part 19) once a year.



VCC911 | Renfors IV  
OWNERS MANUAL



Vision Group Ltd  
Niinistökatu 1  
05800 Hyvinkää  
Finland  
358 (0)9 2797 610  
service@visiongroup.fi

For service centers visit:  
[www.visionflyfishing.com](http://www.visionflyfishing.com)