



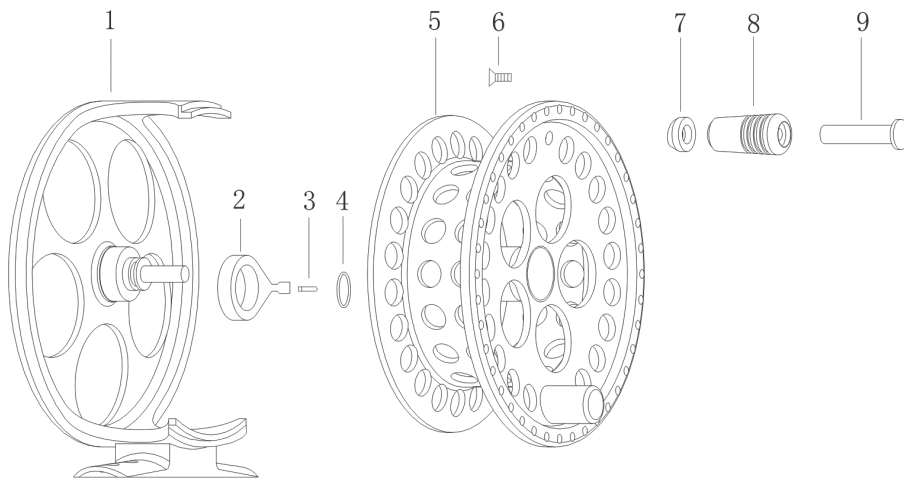
Reel maintenance

Rinse the reel after saltwater use.

Keep the reel clean.

Add waterproof grease/oil to your reel's main axel and handle once a year.

OWNERS MANUAL



KEY NO.	PARTS NAME	KEY NO.	PARTS NAME
1	FRAME ASSY.	6	SCREW
2	CLICK RING	7	HANDLE KNOB WASHER
3	CLICK PIN	8	HANDLE KNOB
4	O-RING	9	HANDLE RIVET
5	SPOOL ASSY.		

Vision Group Ltd
 Niinistökatu 1
 05800 Hyvinkää
 Finland
 358 (0)9 2797 610
 service@visiongroup.fi

For service centers visit:
www.visionflyfishing.com