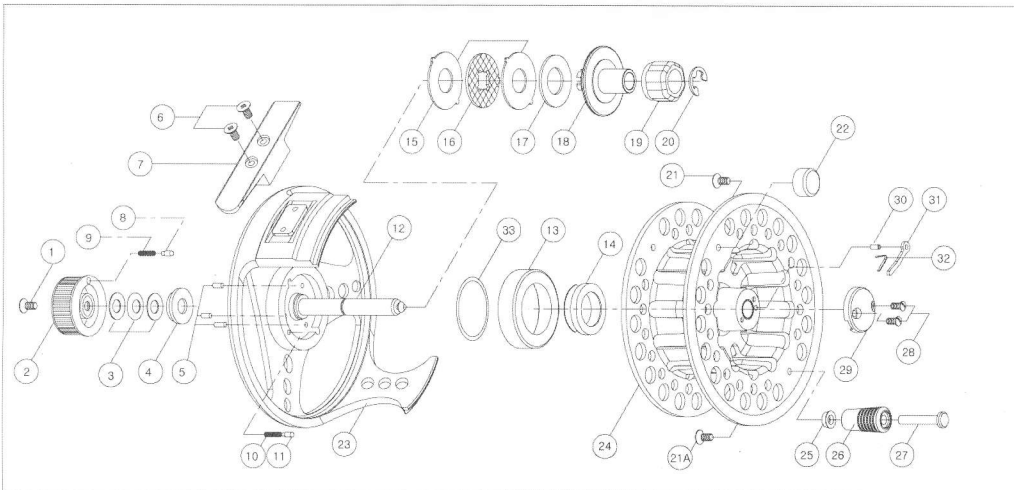




**KOMA
VK11**

OWNERS MANUAL



NO	PART NAME	NO	PART NAME	NO	PART NAME	NO	PART NAME
1	DRAG KNOB SCREW	10	SPRING(FRAME)	19	O/WAY BEARING	27	HANDLE RIVET
2	DRAG KNOB	11	CLICK PIN(FRAME)	20	E-CLIP	28	SCREW(RETAINER COVER)
3	SPRING WASHER	12	MAIN SHAFT	21A	SCREW(H/RIVET)	29	RETAINER COVER
4	DRAG KNOB BUSH	13	BRAKE CAP	21	SCREW(BALANCE)	30	RETAINER PIN
5	PUSH PIN	14	V-RING	22	BALANCE	31	RETAINER
6	SCREW(FOOT)	15	DRAG WASHER "A"	23	FRAME ASS'Y	32	SPRING(RETAINER)
7	FOOT	16	CARBON WASHER	24	SPOOL ASS'Y	33	O-RING
8	CLICK PIN(D/KNOB)	17	DRAG WASHER "B"	25	RING (HANDLE KNOB)		
9	SPRING(D/KNOB)	18	DRAG PLATE	26	HANDLE KNOB		