



**XLA**  
**VLA56**  
**VLA67**  
**VLA89**

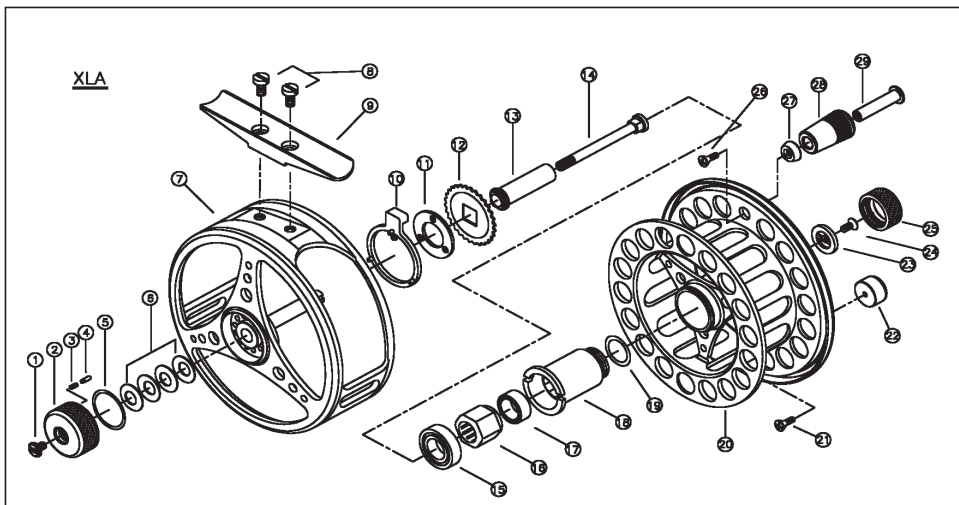
**OWNERS MANUAL**

**Changing from left hand retrieve to right hand retrieve.**

1. Remove (25) the spool release cap.
2. With a crosspoint screwdriver remove screw(24) and (23) the end dish.
3. Pull out (18) bearing holder.
4. Inside this is a one way bearing. Shake this bearing out, turn it over and put it back in again.
5. Put the (18) bearing holder on again.
6. Place(23) end disc on the shaft end and secure it with (24) the screw. Make sure that the cams on the backside of the disc engages the slot in the(14) draw bar.
7. Put back on the (25) spool release cap.

**Changing Spools**

1. Release (25) spool release cap (on the handle side of the spool) by turning anti-clockwise, about one turn. You don't need to take it off.
2. Pull out the spool.
3. Put on another spool, turn it making sure that the two pins on the spool centre bearing engages the slots in (18) the brake bearing house.
4. Tighten the (25) spool release cap again. Please tighten just with the force of two fingers - "it is more than enough to hold the spool."



No.	PART NAME	No.	PART NAME	No.	PART NAME	No.	PART NAME	No.	PART NAME
1	NUT SCREW	7	FRAME	13	MAIN SHAFT	19	O-RING	25	SPOOL RELEASE CAP
2	DRAG KNOB	8	FOOT SCREW	14	DRAW BAR	20	SPOOL	26	HANDLE SCREW
3	CLICK SPRING	9	FOOT	15	BALL BEARING	21	BALANCE SCREW	27	HANDLE RIVET RING
4	CLICK PIN	10	CLICK HOLDER	16	ONEWAY BEARING	22	BALANCE	28	HANDLE KNOB
5	O-RING	11	DISC WASHER	17	BALL BEARING	23	END DISH	29	HANDLE RIVET
6	SPRING WASHER	12	CLICK GEAR	18	BEARING HOLDER	24	SCREW		

Vision Group Ltd  
Niinistökatu 1  
05800 Hyvinkää  
Finland  
358 (0)9 2797 610  
service@visiongroup.fi

For service centers visit:  
[www.visionflyfishing.com](http://www.visionflyfishing.com)