



**XLA
VLA910
VLA11**

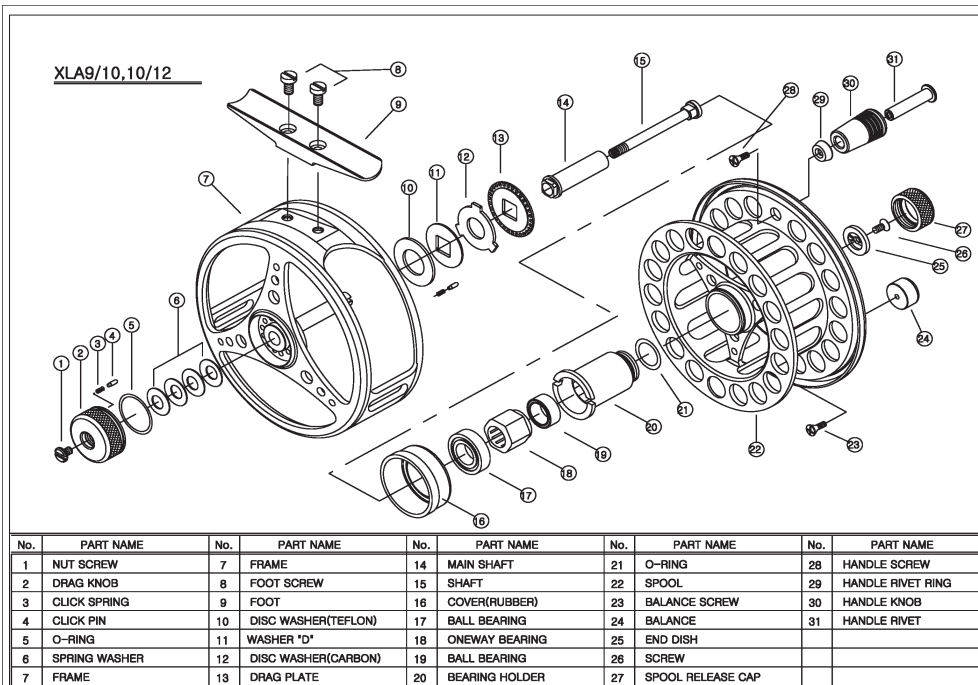
OWNERS MANUAL

Changing from left hand retrieve to right hand retrieve.

1. Remove (27) the spool release cap.
2. With a crosspoint screwdriver remove screw (26) and (25) the end dish.
3. Pull out (20) bearing holder.
4. Inside this is a one way bearing (18). Shake this bearing out, turn it over and put it back in again.
5. Put the (20) bearing holder on again.
6. Place (25) end dish on the shaft end and secure it with (26) the screw. Make sure that the cams on the backside of the disc engages the slot in the (15) draw bar.
7. Put back on the (27) spool release cap.

Changing Spools

1. Release (27) spool release cap (on the handle side of the spool) by turning anti- clockwise, about one turn. You don't need to take it off.
2. Pull out the spool.
3. Put on another spool, turn it making sure that the two pins on the spool centre bearing engages the slots in (20) the brake bearing house.
4. Tighten the (27) spool release cap again. Please tighten just with the force of two fingers - "it is more than enough to hold the spool."



Vision Group Ltd
Niinistökatu 1
05800 Hyvinkää
Finland
358 (0)9 2797 610
service@visiongroup.fi

For service centers visit:
www.visionflyfishing.com