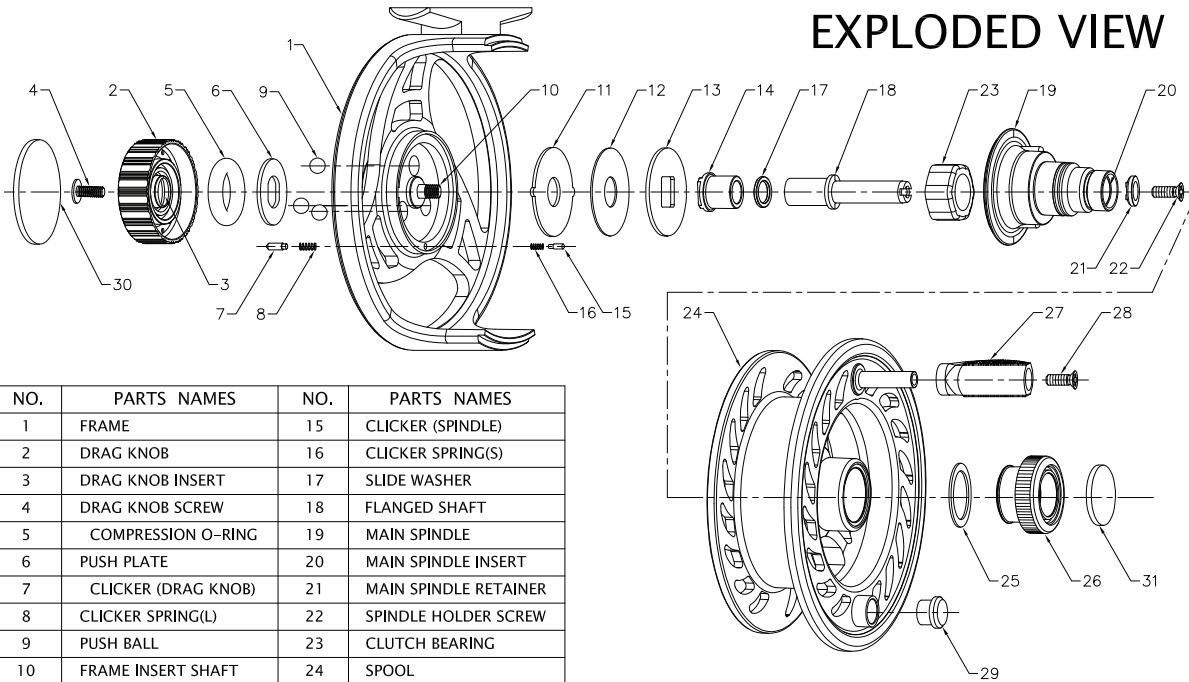


EXPLODED VIEW



NO.	PARTS NAMES	NO.	PARTS NAMES
1	FRAME	15	CLICKER (SPINDLE)
2	DRAG KNOB	16	CLICKER SPRING(S)
3	DRAG KNOB INSERT	17	SLIDE WASHER
4	DRAG KNOB SCREW	18	FLANGED SHAFT
5	COMPRESSION O-RING	19	MAIN SPINDLE
6	PUSH PLATE	20	MAIN SPINDLE INSERT
7	CLICKER (DRAG KNOB)	21	MAIN SPINDLE RETAINER
8	CLICKER SPRING(L)	22	SPINDLE HOLDER SCREW
9	PUSH BALL	23	CLUTCH BEARING
10	FRAME INSERT SHAFT	24	SPOOL
11	PRESSURE PLATE	25	O-RING
12	DRAG WASHER	26	LOCKING NUT
13	DRAG DISK	27	HANDLE KNOB
14	DRAG DISK BUSH	28	HANDLE KNOB SCREW
		29	BALANCE
		30	DRAG KNOB COVER
		31	NUT COIN



Changing from left hand retrieve to right hand retrieve.

1. Loosen the spool locking nut (26) and pull the spool out.
2. With a crosspoint screwdriver remove the screw (22) and the main spindle retainer (21).
3. Pull out the (19) main spindle.
4. On the main shaft is a clutch bearing (23). Pull this bearing out, turn it over and put it back again.
5. Put the (19) main spindle on again.
6. Place the main spindle retainer (21) on the shaft end and secure it with the screw (22).
Make sure that the cams on the backside of the main spindle retainer engage the slots in the main shaft (18).
7. Put the spool back.

Reel maintenance

- Rinse the reel after saltwater use.
- Keep the reel clean.
- Add waterproof grease/oil to your reel's moving parts (especially to the clutch bearing, part 23) once a year.



OWNERS MANUAL ZULU REEL

Vision Group Ltd
Niinistökatu 1
05800 Hyvinkää
Finland
service@visiongroup.fi